



Product Data

A/TT100 Series
A/TT1K Series
A/TTM100 Series
A/TTM1K Series

Temperature Transmitters

Product Description

ACI temperature transmitters are a cost effective solution for all of your temperature measurement needs. The transmitters are accurate, durable, and reliable. Numerous mounting configurations are offered.

ACI produces two temperature transmitters, the A/TT100 for use with a 100 Ohm Platinum RTD and the A/TT1K for use with a 1K Ohm Platinum RTD. The transmitters produce a linear 4-20 mA output carried on a two-wire system. Optional output voltage ranges of (+1-5 or +2-10 VDC) can also be ordered. The transmitter is supplied factory calibrated, and supplied with zero and span potentiometers for field calibration. The transmitter is linear from -50 to 392°F.

The A/TTM Series transmitters are calibrated using a high accuracy NIST traceable digital thermometer and temperature chamber at three points standard. All temperature transmitters have a five year product warranty.

Product Specifications

Transmitter Supply Voltage	8 to 35 VDC, No Polarity Sensitivity 249 Ohm Load: +12 to 35VDC 499 Ohm Load: +17 to 35VDC
Temp. Transmitter Input	2-wire Platinum 100/1K Ohm Class A RTD
Temp. Transmitter Output	2-wire, Linear 4 to 20mA DC Current (Std.) 1 to 5 VDC or 2 to 10VDC
Temp. Transmitter Accuracy NIST Accuracy	+/- 1% of Calibrated span (Standard) Specified by customer down to +/-0.5°F
Temp. Sensor Operating Range Single Point Continuous Element Averaging	-58 to 392°F (-50 to 200°C) -50 to 275°F (-45.5 to 135°C)
Transmitter Operating Temp. Range	32 to 158°F (0 to 70°C)

Transmitter



Attributes:

- Not polarity sensitive
- Class A RTD
- Double Potting Process avoids moisture issues
- Custom calibration ranges are available
- Continuous Element Averaging Sensors

Applications:

- Data acquisition
- OEM
- Process Control
- Clean Rooms

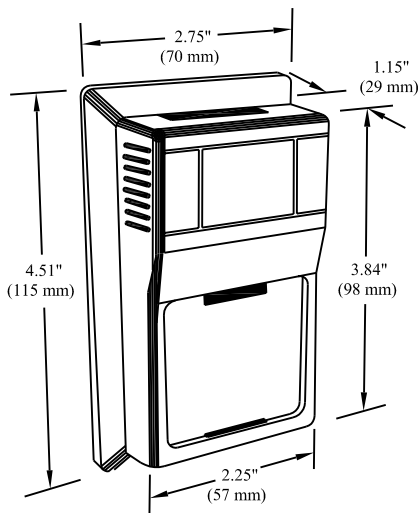


Made in the **USA**

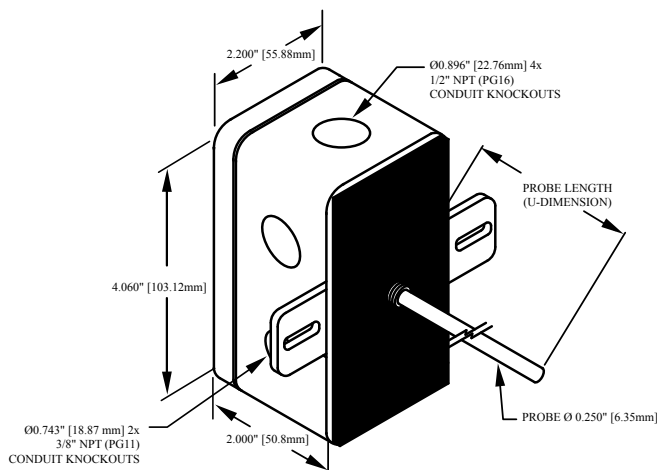
Automation Components, Inc.

2305 Pleasant View Rd.
 Middleton, WI 53562
 PH: (608) 831-2585
 FAX: (608) 831-7407

Room

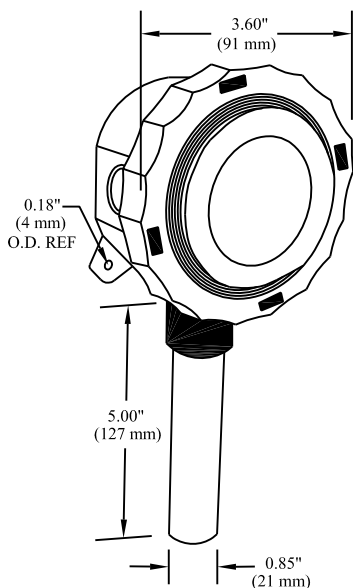


Duct /Averaging / Rigid Averaging

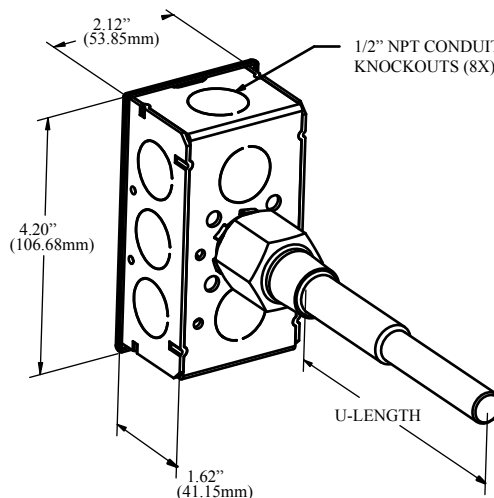


- Duct Insertion (U-Dimension)**
 5.5" (89 mm)
 7.5" (191 mm)
 11.5" (292 mm)
 17.5" (445 mm)
- Averaging**
 8' (2.4 m)
 12' (3.7 m)
 24' (7.3 m)
- Rigid Averaging**
 17.625" (448mm)
 23.625" (600 mm)
 35.625" (905mm)

Outside Air



Immersion³



- Well Insertion (U-Length)**
 2.50" (64 mm)
 4.00" (102 mm)
 6.25" (158.75 mm)

Ordering Information

Sensor Type	Span	Configuration	Output	LCD Display	Housing Type ²
A/ TT100 (100 Ohm RTD)	(1) 40 to 90°	R - Room	(1) 1 to 5 VDC	() No Display (Standard)	(PB) Plastic Housing (Standard)
TT1K (1000 Ohm RTD)	(2) 30 to 100°	RS - Room w/Setpoint	(2) 2 to 10 VDC	(DF) LCD Display (Degrees F)	(GD) Galvanized
TTM100 (100 Ohm RTD)	(3) 20 to 120°	RO - Room w/Override	(4) 4 to 20 mA	(DC) LCD Display (Degrees C)	(BB) NEMA 3R
TTM1K (1000 Ohm RTD)	(4) 40 to 140°	RSO - Room w/Setpoint & Override			(4X) NEMA 4X
Matched Calibration with 3 point NIST certificate	(5) 40 to 240°	D - Duct 4", 8", 12", 18"			
	(6) -30 to 130°	D - Duct 4", 8", 12", 18"			
	(7) 0 to 150°	I - Immersion ³ 2.5", 4", 6"			
	(8) Specify	A - Averaging 12', 24'			
		RA - Rigid Averaging 18", 24", 36"			
		S - Strap - On ³			
		O - Outdoor Air			
		W-6 ³ - Raw Sensor w/6' Leads			
		SP - Stainless Plate			

For added accuracy 5 point calibration is also available

A/5PT NIST (5 Point NIST Calibration certificate)

²Duct, Bendable Copper and Rigid Averaging come standard w/ plastic boxes. Optional enclosures include NEMA 3R (BB), NEMA 4X (4X) or the Galvanized Junction Box (GD).

³Immersion and Strap-On sensors come standard with the galvanized junction box. (The plastic enclosure is also available but is rated for applications below 140 degrees F) Additional enclosures include NEMA 3R (BB) or NEMA 4X (4X) for immersion and NEMA 4X (4X) for Strap On.